

INVALIDIFTS



VIMEC V6S PLATFORM STAIRLIFT

A COMPACT, RELIABLE PLATFORM STAIRLIFT SPECIFICALLY DESIGNED FOR CURVED STAIRCASES, SUITABLE FOR INDOOR AND OUTDOOR APPLICATIONS.

ABOUT

The Vimec V6s offers the same safety, reliability, and space-saving design as the V6 but with a track system engineered for **curved** staircases, landings, and **changes in slope**. Suitable for both indoor and outdoor use, it adapts to different layouts in commercial premises, and public buildings, maintaining accessibility where a straight-track stairlift isn't an option.

STANDARD FEATURES

- Fully automatic operation
- Authorised use only
- Safety protection
- Attendant control
- Compact installation
- Durable build
- Traction drive technology

TECHNICAL OVERVIEW

The V6s offers a folding platform for space-saving installation on narrow staircases, combined with a smooth traction drive that reduces vibration and noise. Safety edges and anti-crush sensors protect users and the building fabric, while safety arms and platform flaps help keep the wheelchair securely in place during travel. Ergonomic onboard controls, wall-mounted call stations, and a wireless attendant handset ensure ease of use. A choice of platform sizes and custom finishes helps the lift blend seamlessly into both contemporary and traditional settings. Available in two different guide sizes depending on the required loading capacity.

TECHNICAL DETAILS

LOADING CAPACITY	225 KG	300 KG
Rails size	50 mm x 30 mm	80 mm x 40 mm
Min. stair width	990 mm	1010 mm
Slope (min-max)	0°-50°	
Min. encumbrance of rail	100 mm	135 mm
Min footprint when platform is closed	370 mm	400 mm
Capacity (up to 45°)	225 kg	300 kg
Capacity (over 45°)	225 kg	250 kg
Speed	0.10 m/s	
Battery power supply	24 Vdc	
Power consumption	0,2 kW	
Operating temperature	-5°C/ +50°C	

Compliant with the European Directive 2014/30 "Electromagnetic compatibility".
Compliant with Machinery Directive 42/2006

OPTIONS

- Protective cover
- Customisable colours and graphics
- Gateway for cloud connection (IOT)
- EN 81-40 compliant foot guard
- Front access
- Audible "Lift In Motion" alarm
- Intermediate stops
- Folding seat
- Post for remote floor controls and radio controls for the accompanying person

FINISHES

Front cover, under-platform and foot guard can either be done in Graphite Grey (RAL 7024) or Papyrus White (RAL 9018). Custom wrapping on request.

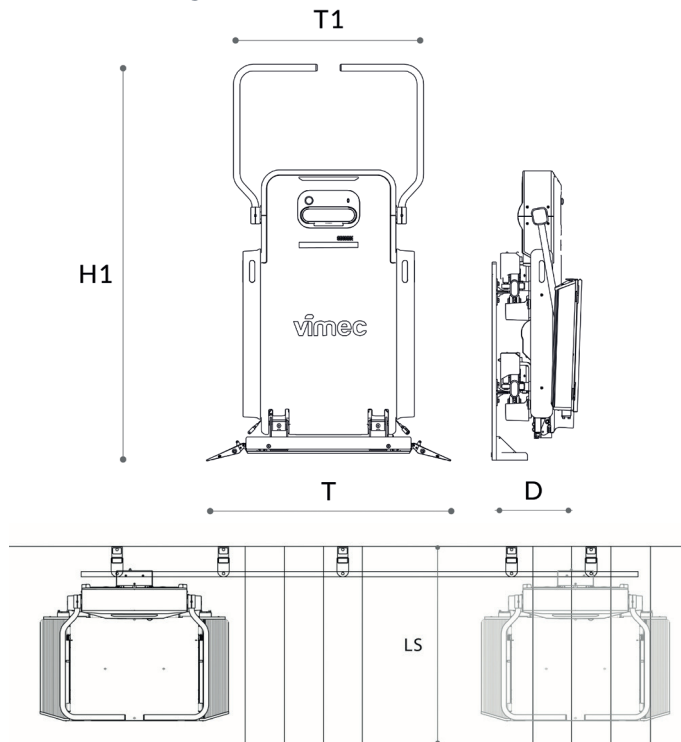
Dashboard supplied in Tele Grey (RAL 7047), handrail, side flaps (and front where present), and side bumpers and bars in White Aluminium (RAL 9006). Rails and supports in Graphite Grey (RAL 7024).

FOOTBOARD

Natural almond aluminium footboard.



PLAN VIEWS



DIMENSIONS AND OVERALL SPACE

PLATFORM SIZES*	
600 x 750 mm	800 x 900 mm
650 x 750 mm	800 x 1000 mm
700 x 750 mm	900 x 1000 mm
700 x 800 mm	800 x 1250 mm
700x 900 mm	

DRAWING DIMENSIONS*	
H1 (min)	1810 mm
T (min)	1120 mm
T1 (min)	805 mm
D (min)	450 mm
LS (min)	990 mm

*Data are indicative and not binding; the manufacturer reserves the right to make any changes without prior notice.



**FULLY
RECYCLABLE
MATERIALS**







Pacific House . Relay Point . Wilnecote . Tamworth . B77 5PA
 Phone: 01827 286860
 Email: sales@invalifts.com

