

INVALIDIFTS



VIMEC V6 PLATFORM STAIRLIFT

A COMPACT, RELIABLE PLATFORM STAIRLIFT FOR STRAIGHT STAIRCASES, SUITABLE FOR INDOOR AND OUTDOOR APPLICATIONS.

ABOUT

The Vimec V6 is designed for smooth travel along straight staircases, providing wheelchair access in public buildings, and commercial spaces. With a space-saving folding platform, multiple platform sizes, and fast installation, it operates reliably in both indoor or outdoor settings.

STANDARD FEATURES

- Fully automatic operation
- Authorised use only
- Safety protection
- Attendant control
- Compact installation
- Durable build
- Traction drive technology
- Weather-resistant

TECHNICAL OVERVIEW

Features a folding platform for narrow staircases and a traction drive that reduces vibration and noise. It offers fully automatic operation and constant-pressure ergonomic controls with wall-mounted call stations for straightforward use. Key safety features include interlocked foldable bars, safety edges with anti-crush protection, a removable magnetic key emergency stop and rescue mode. The system also incorporates double-chain traction and mechanical safety gear with a speed limiter. Informative LEDs, an on-board display, remote floor controls and MyVimec App connectivity complete a reliable solution in Papyrus White or Grey.

TECHNICAL DETAILS

Railsize	80 mm x 40 mm
Max, guide rails length	10 mt
Slope (min-max)	220-240 V, 1 phase, 16A
Min. encumbrance of rail (mm)	125
Min footprint when platform is closed (mm)	400
Capacity (up to 40°)	300 kg
Capacity (over 40°)	225 kg
Speed	0,10 m/s
Battery power supply	24 Vdc
Power consumption	0,2 kW
Operating temperature	-5°C/ +50°C

Compliant with the European Directive 2014/30 "Electromagnetic compatibility".
Compliant with Machinery Directive 42/2006

OPTIONS

- Protective cover
- Customisable colours and graphics
- Gateway for cloud connection (IOT)
- EN 81-40 compliant foot guard
- Front access
- Audible "Lift In Motion" alarm
- Intermediate stops
- Folding seat
- Post for remote floor controls and radio controls for the accompanying person

FINISHES

Front cover, under-platform and foot guard can either be done in Graphite Grey (RAL 7024) or Papyrus White (RAL 9018). Custom wrapping on request.

Dashboard supplied in Tele Grey (RAL 7047), handrail, side flaps (and front where present), and side bumpers and bars in White Aluminium (RAL 9006). Rails and supports in Graphite Grey (RAL 7024).

FOOTBOARD

Natural almond aluminium footboard.



DIMENSIONS AND OVERALL SPACE

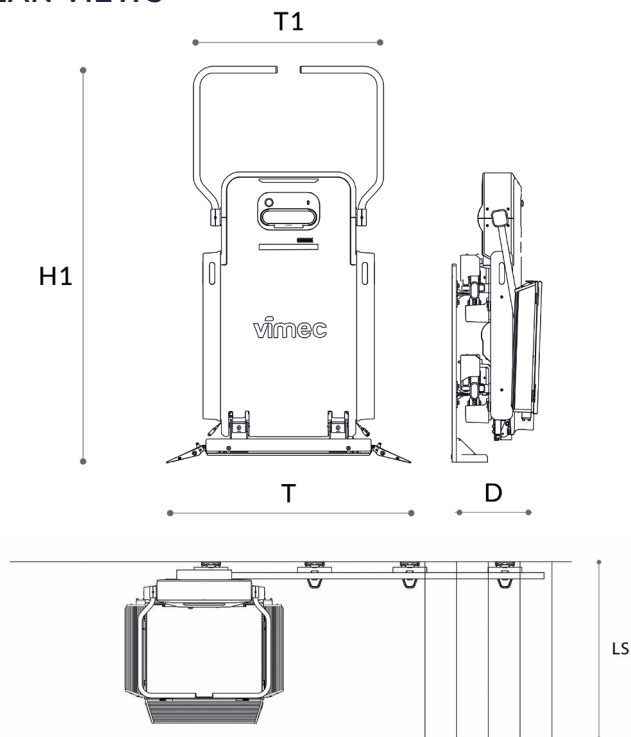
PLATFORM SIZES*	
600 x 750 mm	800 x 900 mm
650 x 750 mm	800 x 1000 mm
700 x 750 mm	900 x 1000 mm
700 x 800 mm	800 x 1250 mm
700x 900 mm	

DRAWING DIMENSIONS*	
H1 (min)	1810 mm
T (min)	1120 mm
T1 (min)	805 mm
D (min)	450 mm
LS (min)	920 mm

*Data are indicative and not binding; the manufacturer reserves the right to make any changes without prior notice.



PLAN VIEWS



Pacific House · Relay Point · Wilnecote · Tamworth · B77 5PA
 Phone: 01827 286860
 Email: sales@invalidlifts.com