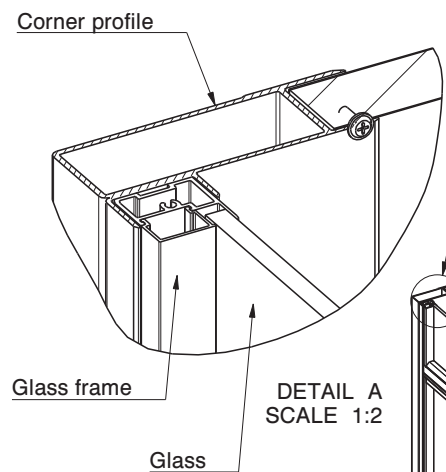


MC2000 Platform Lift
Shaft Structure Main View





SEE DETAIL B

SEE DETAIL A

Sheet metal screw
fixing wall panel to
corner profile

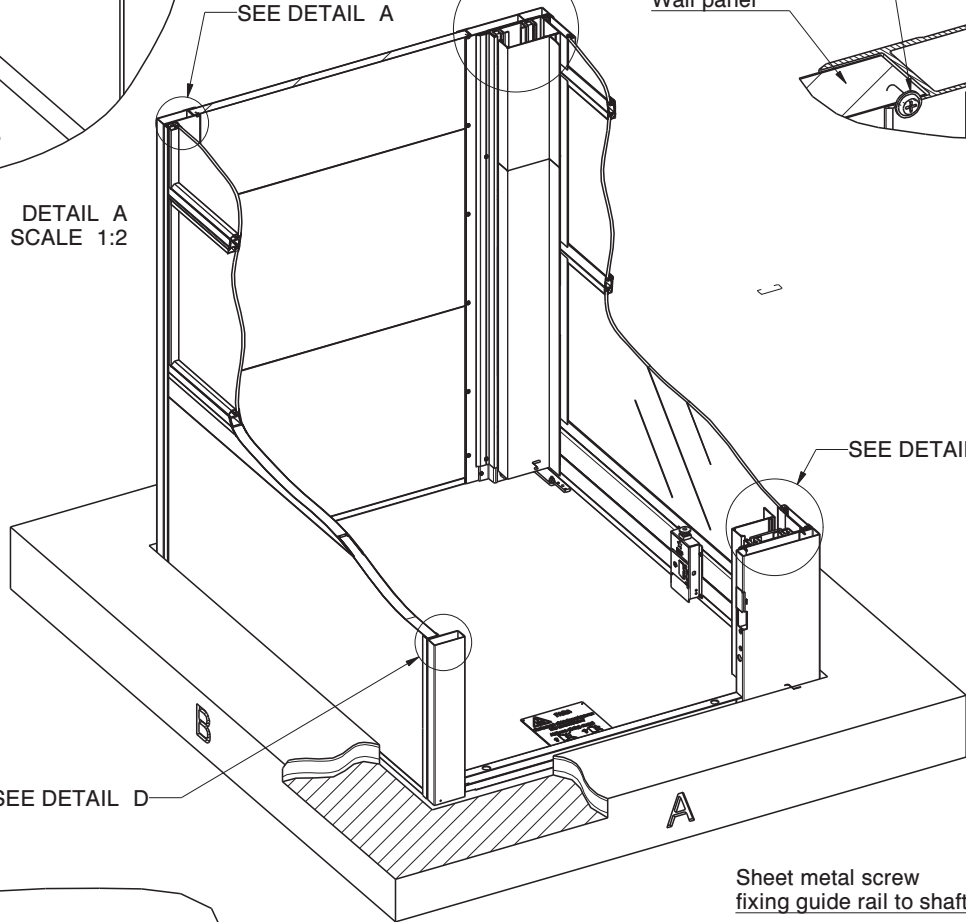
Corner profile

Guide rail

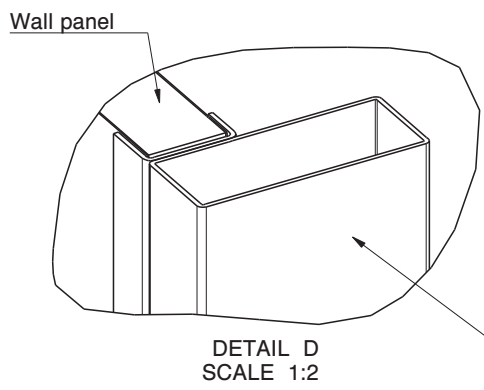
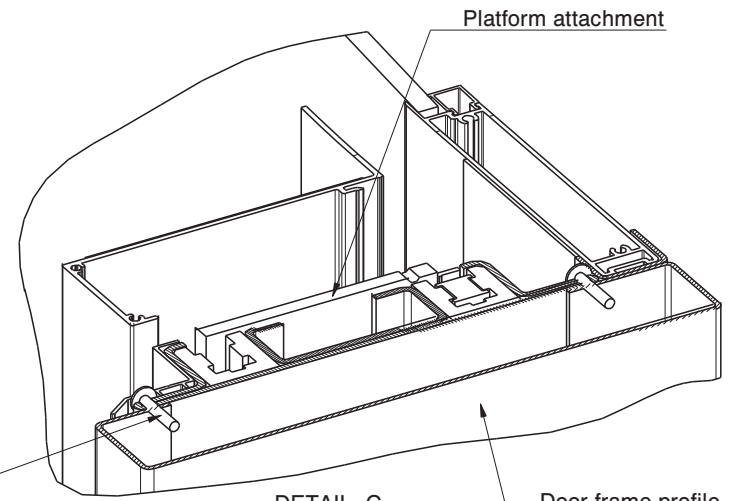
Wall panel

DETAIL B
SCALE 1:2

Transmission cover



SEE DETAIL C

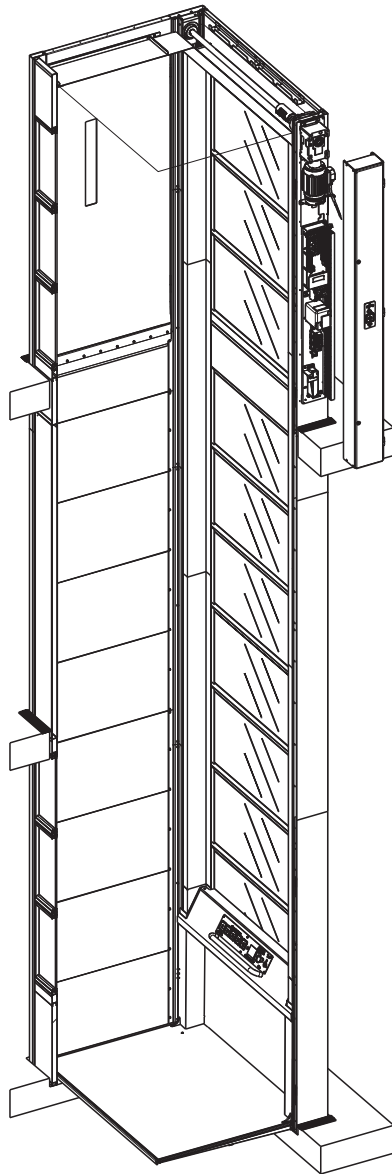


Sheet metal screw
fixing guide rail to
shaft

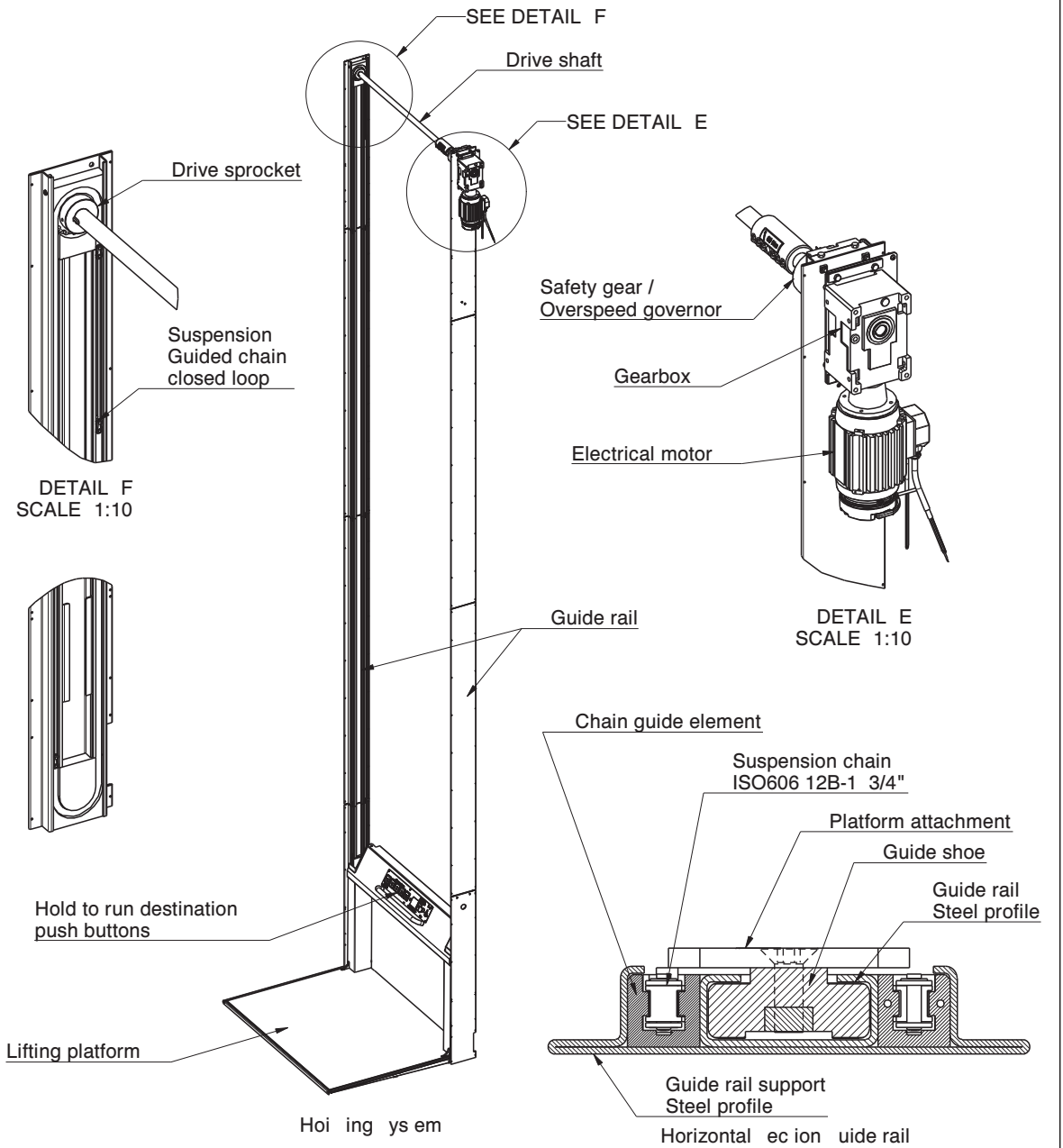
Shaft structure section view

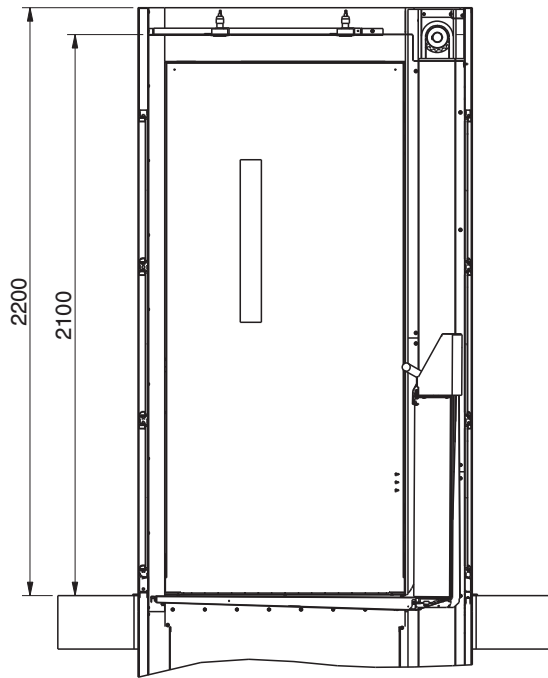
MC2000 Platform Lift
Section Shaft Views



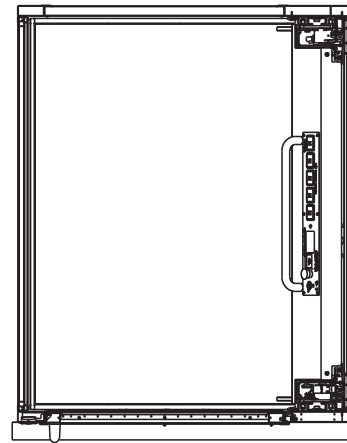


MC2000 Platform Lift
Hoisting System

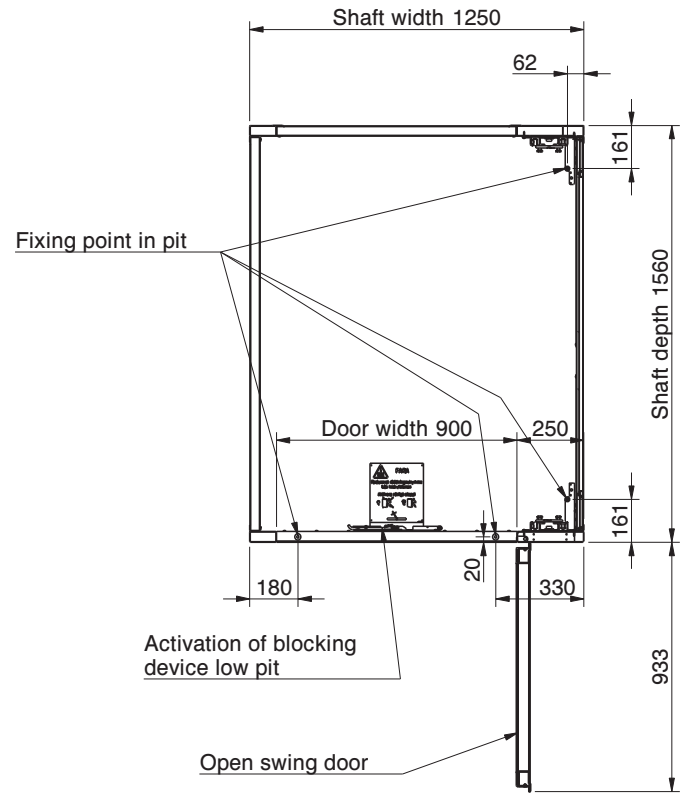




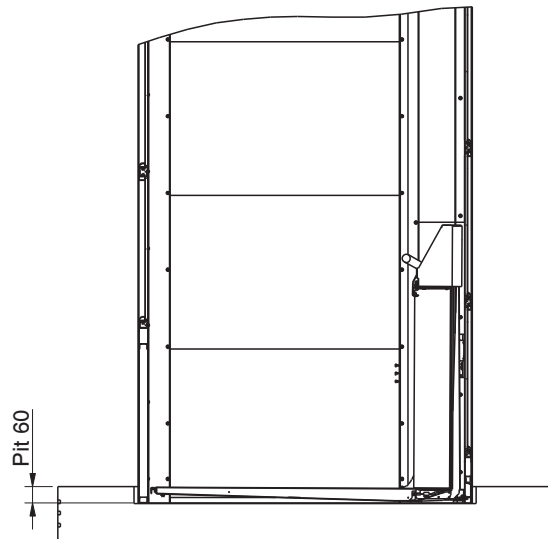
Platform at top most floor



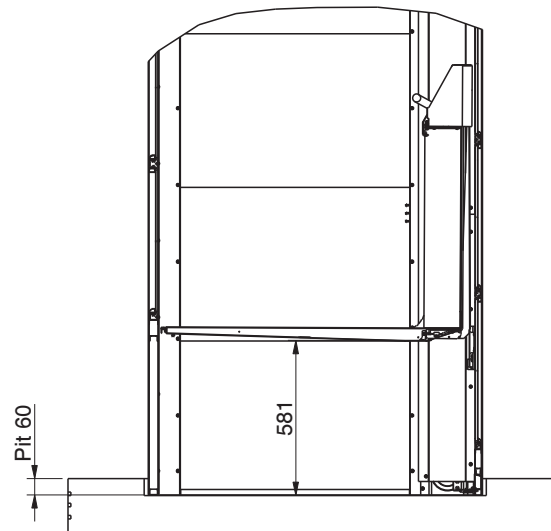
Top view horizontal section above platform



Top view horizontal section pit



Platform at bottom floor in normal service



Lowest point of platform with activated blocking device

MC2000 Platform Lift
Plan View Sections

