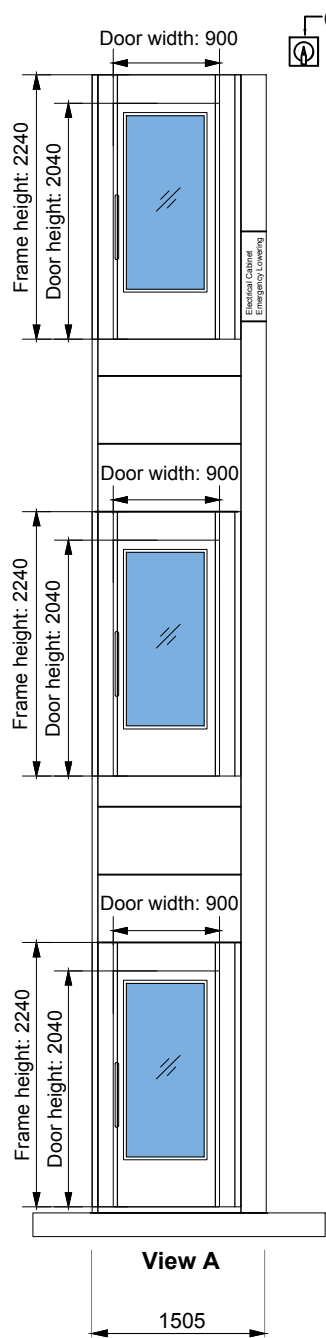
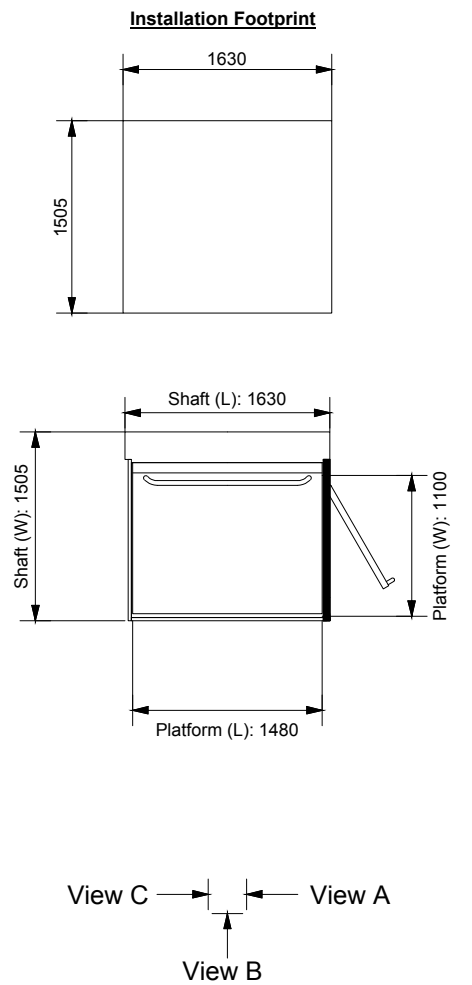
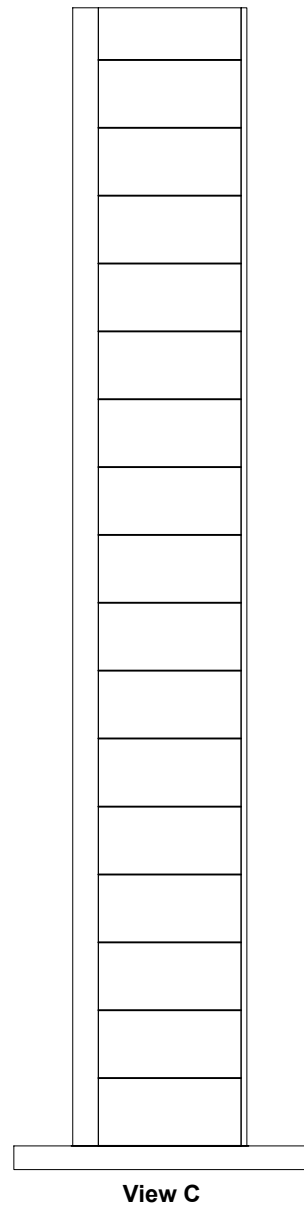
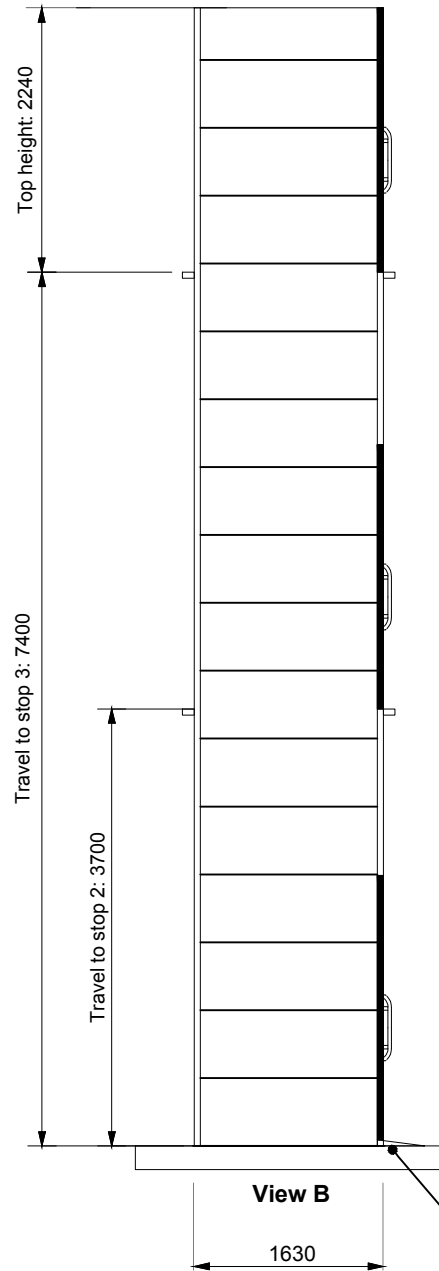


# TYPICAL DRAWING FOR INFORMATION ONLY

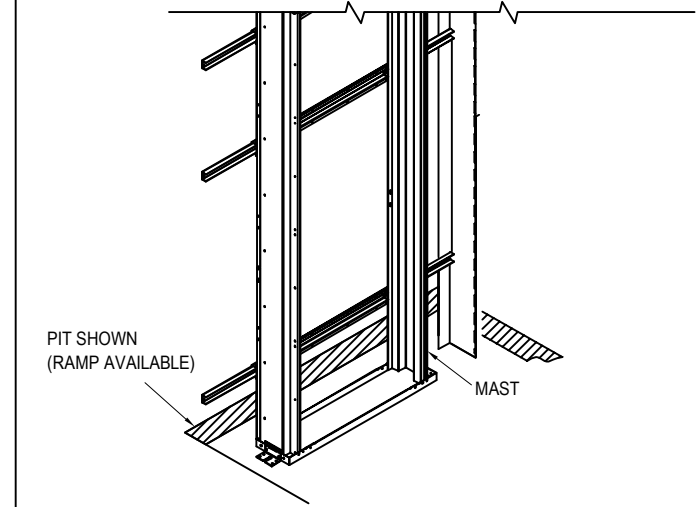
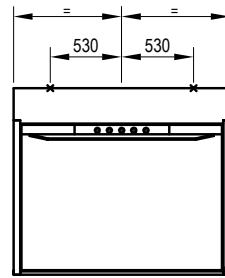
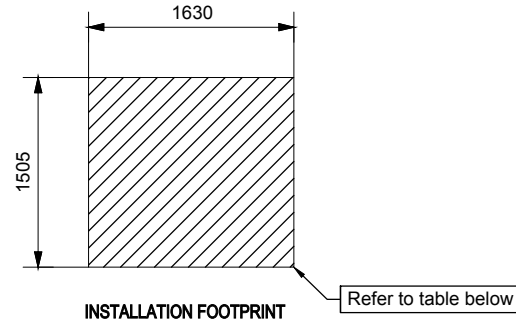
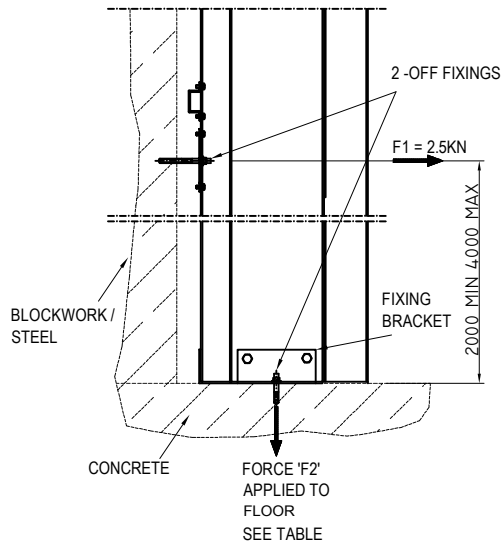


(240V, 20A, 1-Phase)



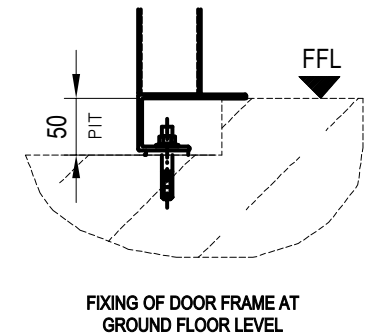
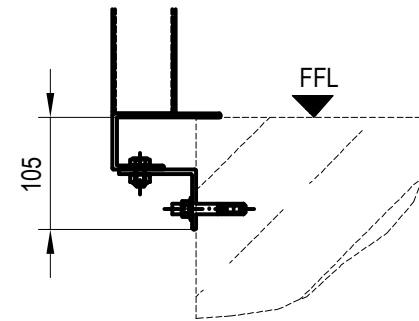
<b>Generic Drawing of Commercial Platform Lift</b>			
Arrangement drawing, open front configuration, 3 floor			
<b>Revision:</b>	Initial Issue	<b>Model:</b>	Commercial
<b>Date:</b>	01/04/2020	<b>Status:</b>	Generic Drawing
Invalifts Limited 6 Falcon Park, Claymore Tame Valley Ind Est Tamworth, B77 5DQ			

**BUILDING REQUIREMENTS AND LOADINGS INFORMATION**  
**FIXING OF SUPPORTING MAST TO WALL**  
 (ELSE L-BRACKET FIXING IS AVAILABLE AS AN ALTERNATIVE)



**MAXIMUM FORCES BY TRAVEL**

TRAVEL (m)	FLOOR LOADING F2 (kN)
1	7.8
2	8.5
3	9.2
4	9.9
5	10.7
6	11.5
7	12.0
8	12.8
9	13.4
10	14.2
11	14.9
12	15.6



Generic Drawing of Commercial Platform Lift			
Building works & loading detail			
<b>Revision:</b>	Initial Issue	<b>Model:</b>	Commercial
<b>Date:</b>	01/04/2020	<b>Status:</b>	Generic Drawing
Invalifts Limited 6 Falcon Park, Claymore Tame Valley Ind Est Tamworth, B77 5DQ			